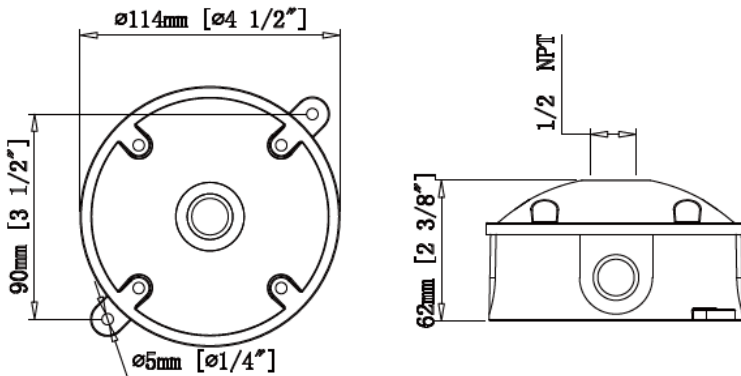


INSTALLATION MANUAL

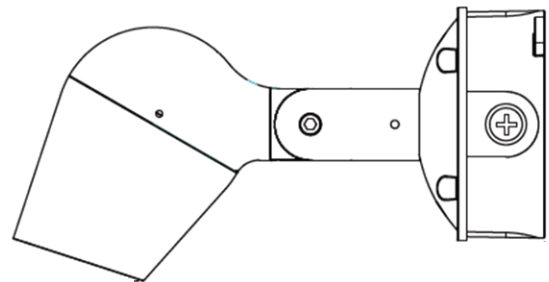
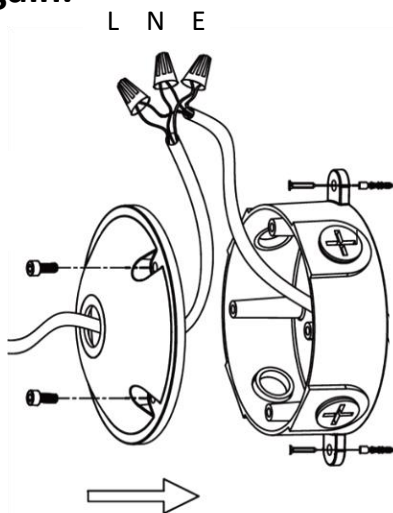
TANDA WALL



1. Switch off power before connecting to mains.
2. Unscrew the 4 screws on the base of the connection box:



3. Fix the base of the connection box to your surface using the 2 x $\varnothing 5\text{mm}$ holes.
4. Make your connection with L, N, E inside the box and assembly the box again.



5. Assembly complete.